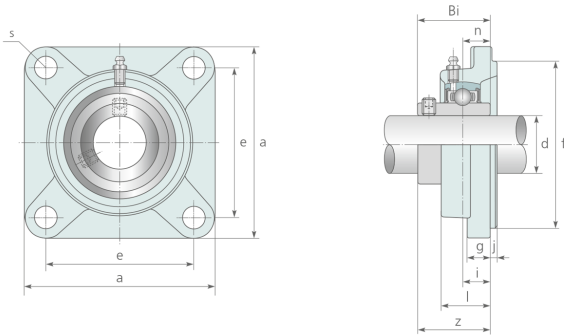


# UCFS 305 ... UCFS 328 FLANSCHLAGER MIT ZENTRIERANSATZ, GUSSGEHÄUSE



|          | Abmessungen [mm] |     |     |    |    |    |    |    |     |     |       |       |            | Tragzahl [kN] |         | Gewicht |         |       |
|----------|------------------|-----|-----|----|----|----|----|----|-----|-----|-------|-------|------------|---------------|---------|---------|---------|-------|
|          | d[mm]            | a   | e   | i  |    |    | l  | s  |     | z   | Bi    | n     | S Schraube | Lager         | Gehäuse | dyn.C   | stat.C0 | [kg]  |
| UCFS 305 | 25               | 110 | 80  | 9  | 13 | 7  | 22 | 16 | 80  | 32  | 38,0  | 15,00 | M14        | UC 305        | FS 305  | 20,6    | 11,3    | 1,40  |
| UCFS 306 | 30               | 125 | 95  | 10 | 15 | 8  | 24 | 16 | 90  | 36  | 43,0  | 17,00 | M14        | UC 306        | FS 306  | 29,9    | 15,8    | 1,90  |
| UCFS 307 | 35               | 135 | 100 | 11 | 16 | 9  | 27 | 19 | 100 | 40  | 48,0  | 19,00 | M16        | UC 307        | FS 307  | 33,5    | 18,3    | 2,40  |
| UCFS 308 | 40               | 150 | 112 | 13 | 17 | 10 | 30 | 19 | 115 | 46  | 52,0  | 19,00 | M16        | UC 308        | FS 308  | 40,7    | 24,0    | 3,30  |
| UCFS 309 | 45               | 160 | 125 | 14 | 18 | 11 | 33 | 19 | 125 | 49  | 57,0  | 22,00 | M16        | UC 309        | FS 309  | 52,7    | 31,7    | 4,00  |
| UCFS 310 | 50               | 175 | 132 | 16 | 19 | 12 | 36 | 23 | 140 | 55  | 61,0  | 22,00 | M20        | UC 310        | FS 310  | 62,0    | 37,9    | 5,30  |
| UCFS 311 | 55               | 185 | 140 | 17 | 20 | 13 | 39 | 23 | 150 | 58  | 66,0  | 25,00 | M20        | UC 311        | FS 311  | 71,5    | 44,6    | 6,20  |
| UCFS 312 | 60               | 195 | 150 | 19 | 22 | 14 | 42 | 23 | 160 | 64  | 71,0  | 26,00 | M20        | UC 312        | FS 312  | 81,5    | 51,9    | 7,40  |
| UCFS 313 | 65               | 208 | 166 | 15 | 22 | 18 | 40 | 23 | 175 | 60  | 75,0  | 30,00 | M20        | UC 313        | FS 313  | 93,0    | 59,7    | 8,60  |
| UCFS 314 | 70               | 226 | 178 | 18 | 25 | 18 | 43 | 25 | 185 | 63  | 78,0  | 33,00 | M22        | UC 314        | FS 314  | 104,0   | 68,1    | 11,20 |
| UCFS 315 | 75               | 236 | 184 | 21 | 25 | 18 | 48 | 25 | 200 | 71  | 82,0  | 32,00 | M22        | UC 315        | FS 315  | 114,0   | 77,0    | 12,70 |
| UCFS 316 | 80               | 250 | 196 | 18 | 27 | 20 | 48 | 31 | 210 | 70  | 86,0  | 34,00 | M27        | UC 316        | FS 316  | 122,0   | 86,5    | 14,30 |
| UCFS 317 | 85               | 260 | 204 | 24 | 27 | 20 | 54 | 31 | 220 | 80  | 96,0  | 40,00 | M27        | UC 317        | FS 317  | 133,0   | 96,6    | 17,20 |
| UCFS 318 | 90               | 280 | 216 | 24 | 30 | 20 | 56 | 35 | 240 | 80  | 96,0  | 40,00 | M30        | UC 318        | FS 318  | 143,0   | 107,0   | 20,40 |
| UCFS 319 | 95               | 290 | 228 | 39 | 30 | 20 | 74 | 35 | 250 | 101 | 103,0 | 41,00 | M30        | UC 319        | FS 319  | 153,0   | 118,0   | 23,90 |

## UCFS 305 ... UCFS 328 FLANSCHLAGER MIT ZENTRIERANSATZ, GUSSGEHÄUSE

|          | Abmessungen [mm] |     |     |    |    |    |    |    |     |     |       |       | Tragzahl [kN] |        |         | Gewicht |         |       |
|----------|------------------|-----|-----|----|----|----|----|----|-----|-----|-------|-------|---------------|--------|---------|---------|---------|-------|
|          | d[mm]            | a   | e   | i  |    |    | l  | s  |     | z   | Bi    | n     | S Schraube    | Lager  | Gehäuse | dyn.C   | stat.C0 | [kg]  |
| UCFS 320 | 100              | 310 | 242 | 39 | 32 | 20 | 74 | 38 | 260 | 105 | 108,0 | 42,00 | M33           | UC 320 | FS 320  | 173,0   | 140,0   | 27,10 |
| UCFS 322 | 110              | 340 | 266 | 35 | 35 | 25 | 71 | 41 | 300 | 106 | 117,0 | 46,00 | M36           | UC 322 | FS 322  | 203,0   | 178,0   | 36,80 |
| UCFS 324 | 120              | 370 | 290 | 35 | 40 | 30 | 80 | 41 | 330 | 110 | 126,0 | 51,00 | M36           | UC 324 | FS 324  | 212,0   | 190,0   | 50,60 |
| UCFS 326 | 130              | 410 | 320 | 35 | 45 | 30 | 85 | 41 | 360 | 116 | 135,0 | 54,00 | M36           | UC 326 | FS 326  | 229,0   | 214,0   | 67,80 |
| UCFS 328 | 140              | 450 | 350 | 45 | 55 | 30 | 95 | 41 | 400 | 131 | 145,0 | 59,00 | M36           | UC 328 | FS 328  | 255,0   | 246,0   | 96,30 |